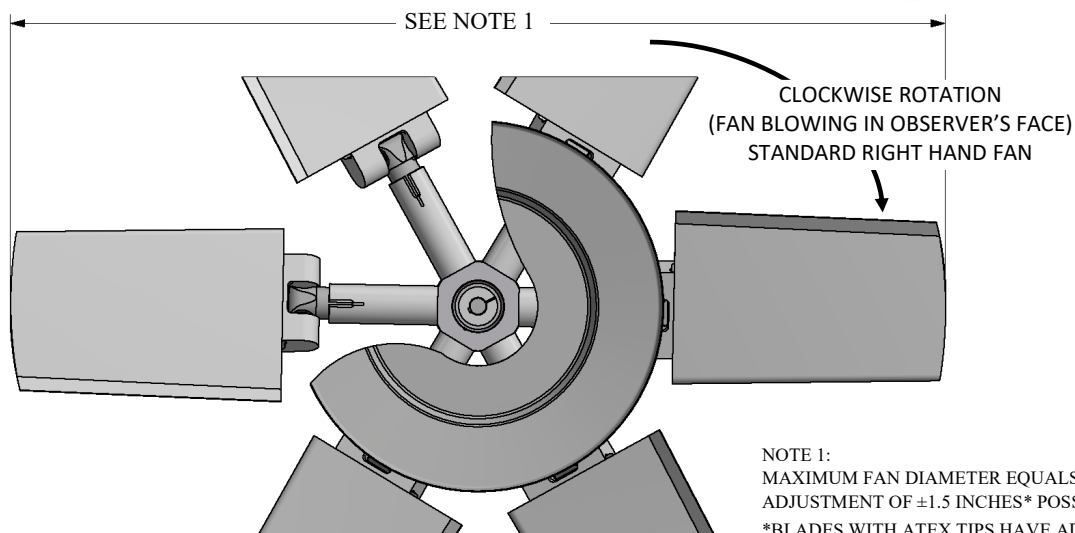


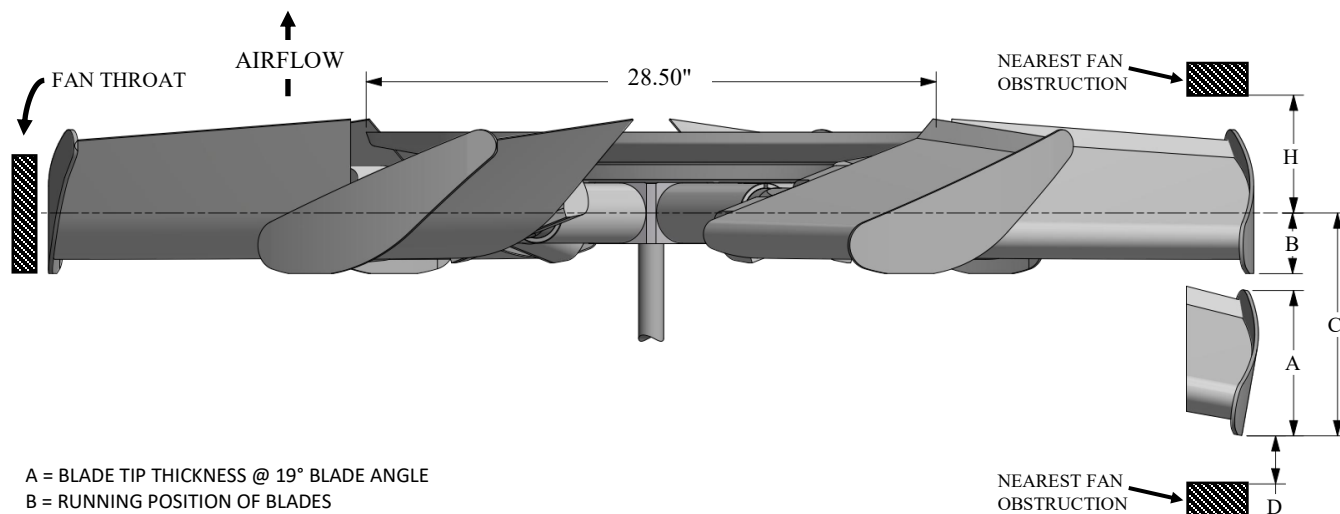
CLASS 10000 SD SERIES 30 SC

RH ROTATION

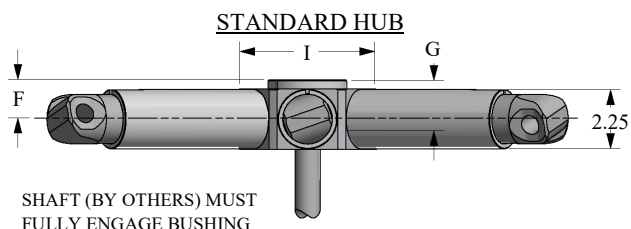
Moore
FANS



NOTE 1:
MAXIMUM FAN DIAMETER EQUALS NOMINAL FAN DIAMETER.
ADJUSTMENT OF ±1.5 INCHES* POSSIBLE AT INSTALLATION
*BLADES WITH ATEX TIPS HAVE ADJUSTMENT OF -1.0" & +2.0" ON DIAMETER



- A = BLADE TIP THICKNESS @ 19° BLADE ANGLE
- B = RUNNING POSITION OF BLADES
- C = MAXIMUM DROOP POSITION OF BLADES
- D = MINIMUM OBSTACLE CLEARANCE AT INLET
- F = CENTERLINE OF FAN TO BASE OF BUSHING
- G = BUSHING OVERALL HEIGHT
- H = MINIMUM OBSTACLE CLEARANCE AT OUTLET
- I = NOMINAL MECHANICAL HUB DIAMETER
- # = WITH S.A.E. STANDARD SQUARE KEYWAY
- * = WITH SHALLOW KEYWAY IN BUSHING



WITH FAN OPERATING AT 12000 FT/MINUTE BLADE TIP SPEED						
DIA	A	PERCENT BLADE LOADING		C	D	H
		100%	75%			
5'	4.8"	1.4"	1.0"	3.4"	2.0"	7.0"
6'	4.4"	1.7"	1.2"	3.7"	2.0"	7.0"

MAX BLADES	BUSHING TYPE	MAX # BORE	MAX * BORE	I	F	G
7	T	2.000"	2.188"	6"	1.3"	1.9"
7	U	2.750"	2.938"	7"	1.6"	2.7"
7	W	3.750"	4.000"	9"	1.8"	2.8"